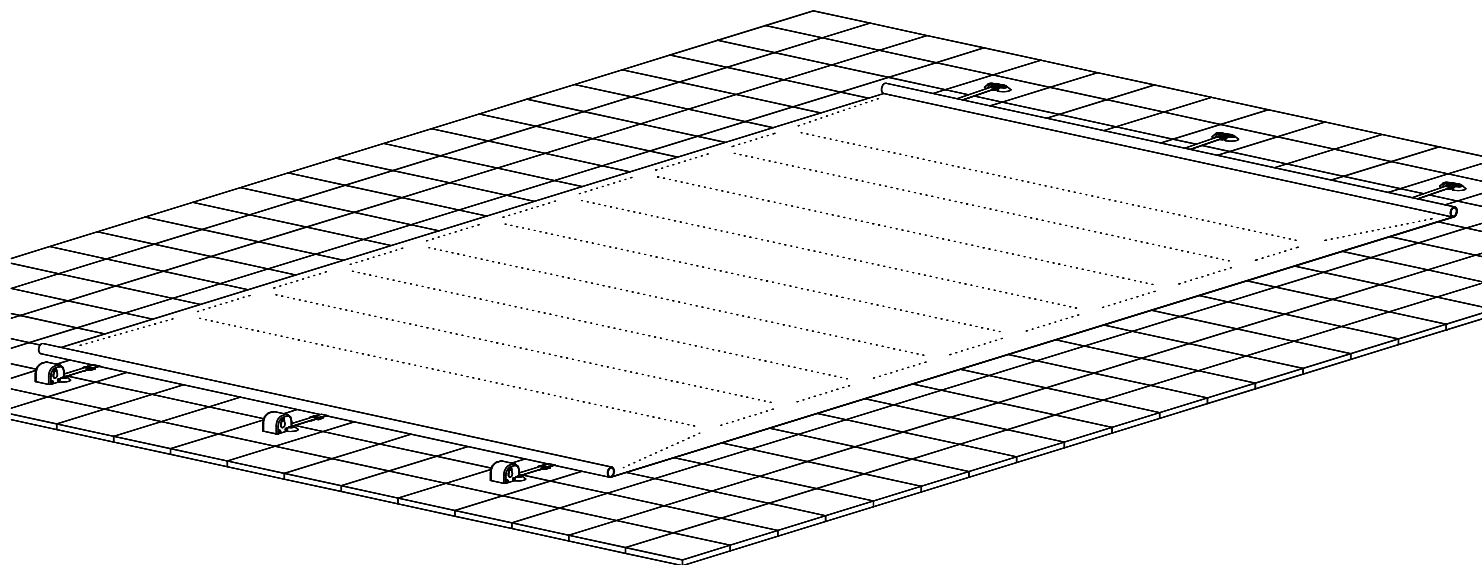


« Keep always an eye on the pool during the opening and the closure »

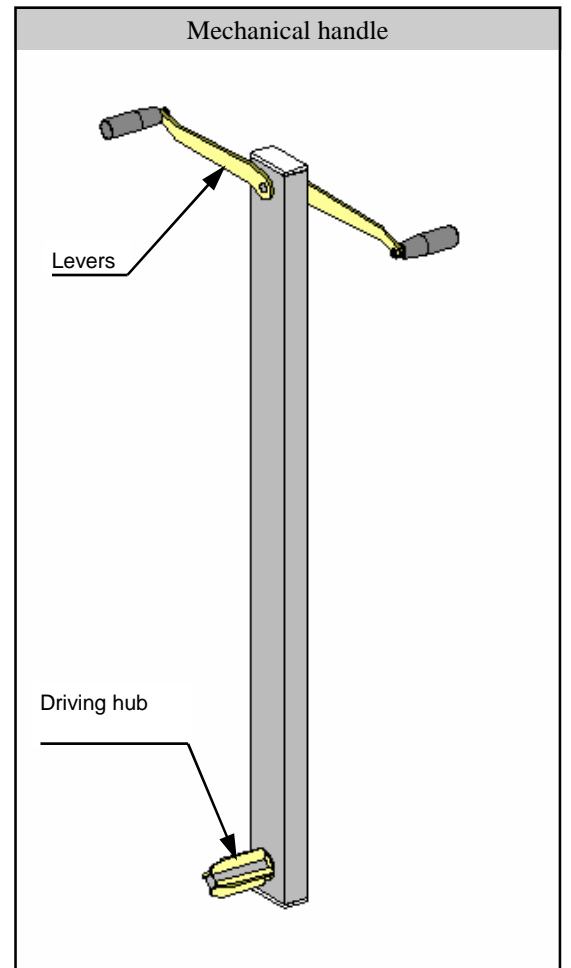
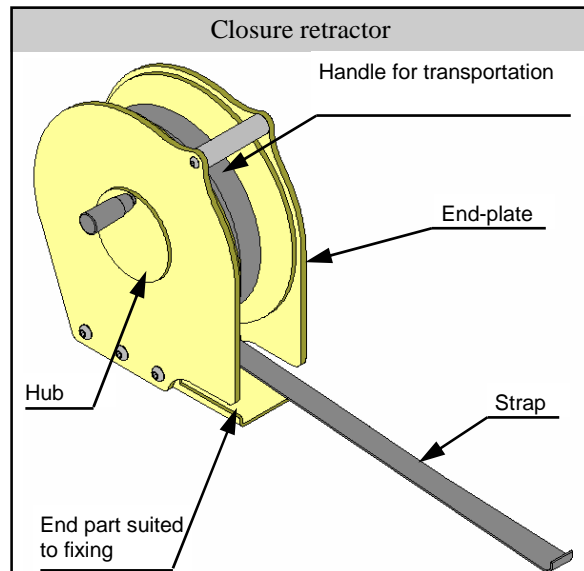
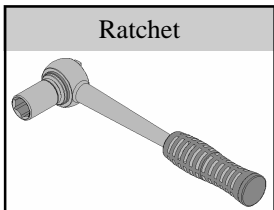
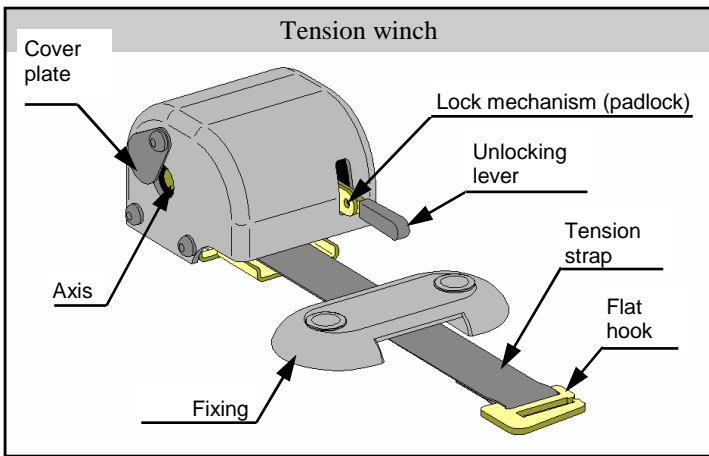
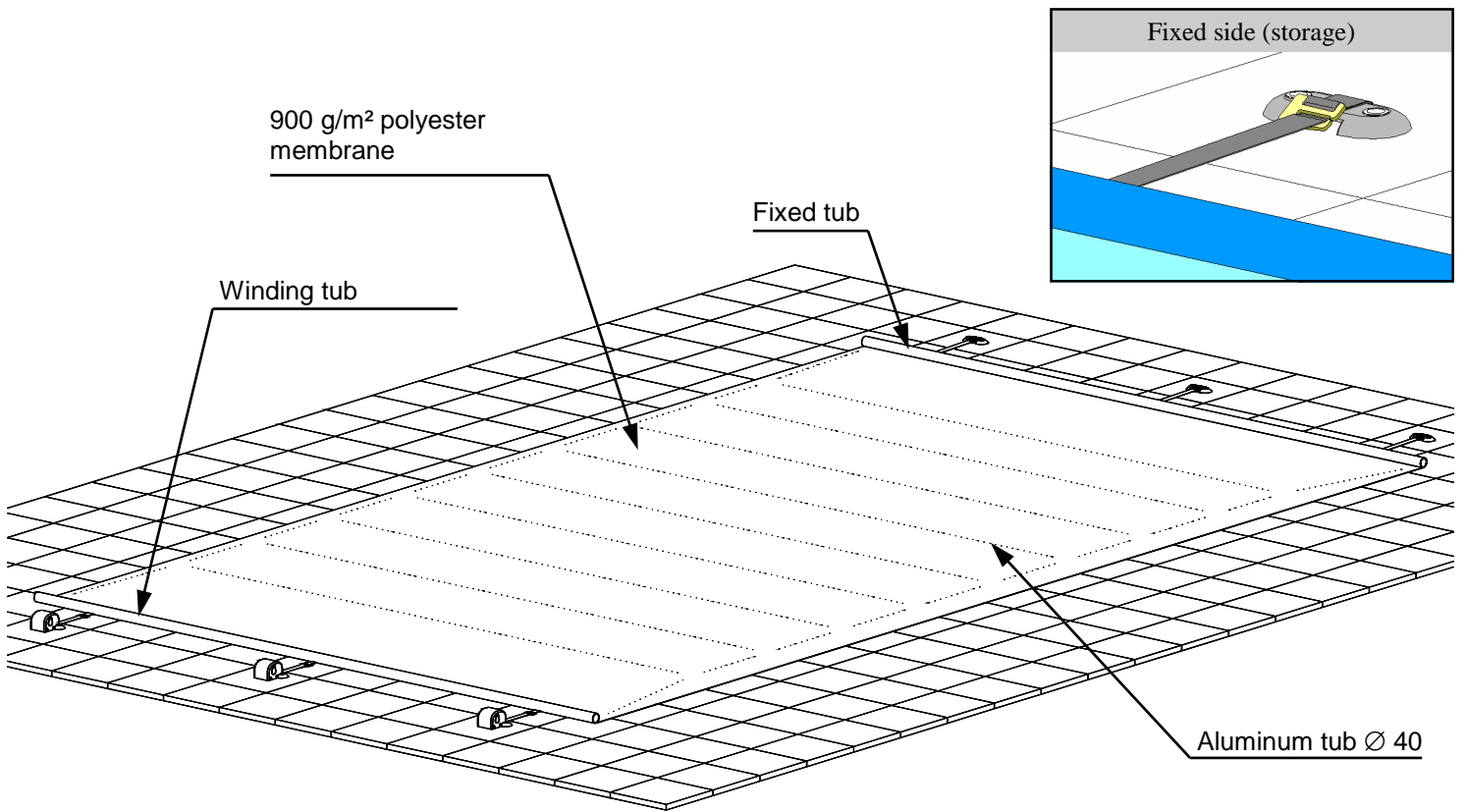


***DO NOT HANDLE THE COVER
BY STRONG WIND***

**In the CLOSED POSITION ,
the safety cover must be always
TENSE and HOOKED.**

« Please read it carefully and keep it for a next use »

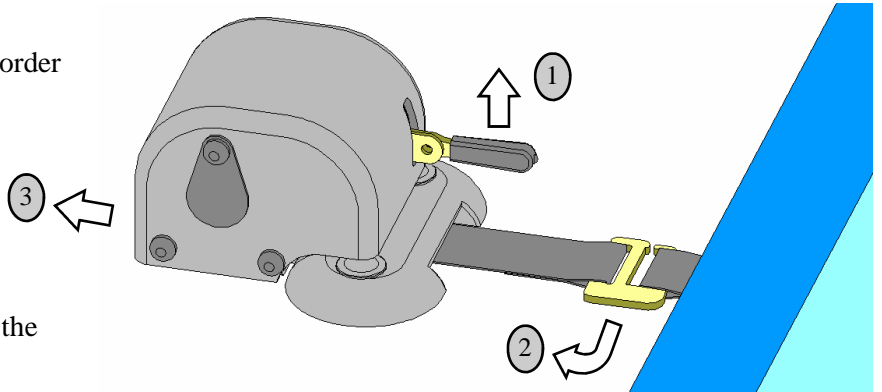
Rollax Description



POOL OPENING

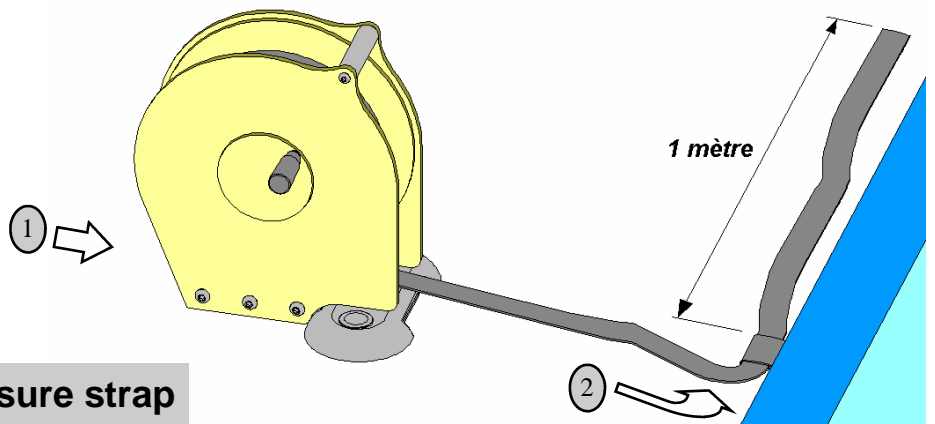
- **Unlock the tension on the cover and take off the three winches.**

- ① Pull up the unlocking lever of the winch in order to release the tension of the cover.
- ② Uncouple the strap of the winch from the cover.
- ③ Take off the tension winch from the fixings on the ground.



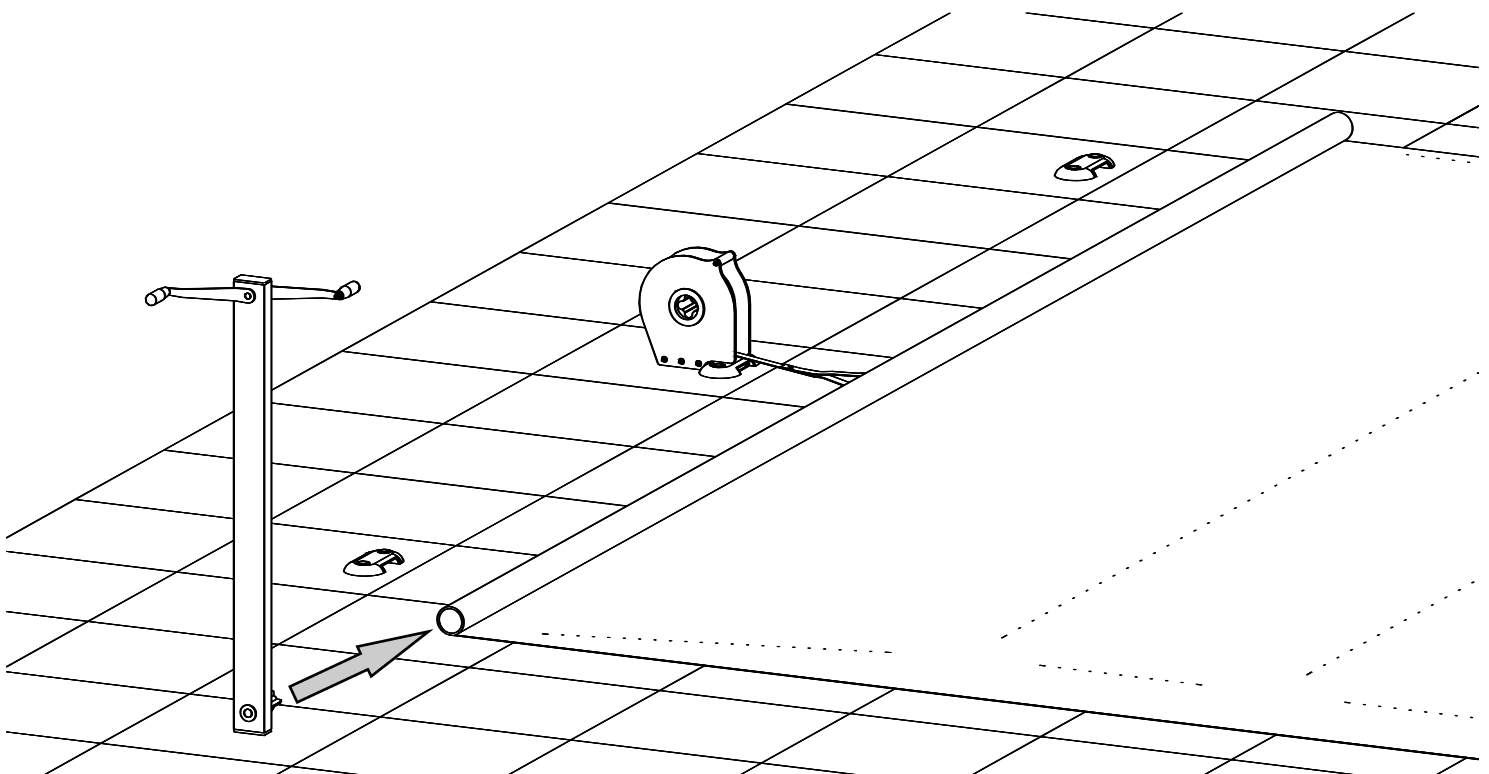
- **Position the mechanical handle.**

- ① Position the closure retractor in the fixing in the middle (the closure strap goes above the fixing).
- ② Pass 1 meter of the closure strap through the loop, in the middle of the winding tub and position the strap in the cover.



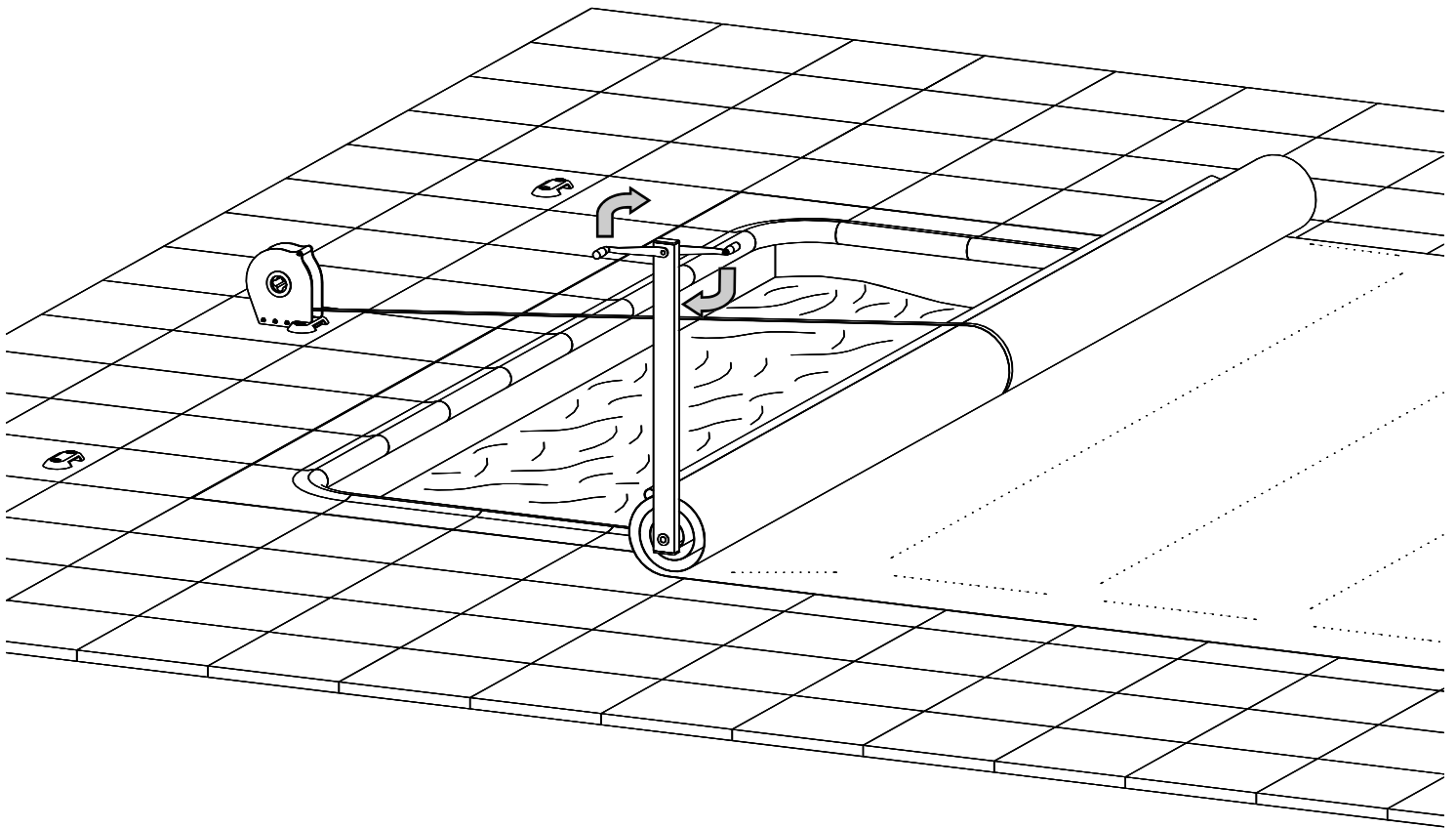
X Unwind 2 meters of the closure strap

- **Position the mechanical handle**



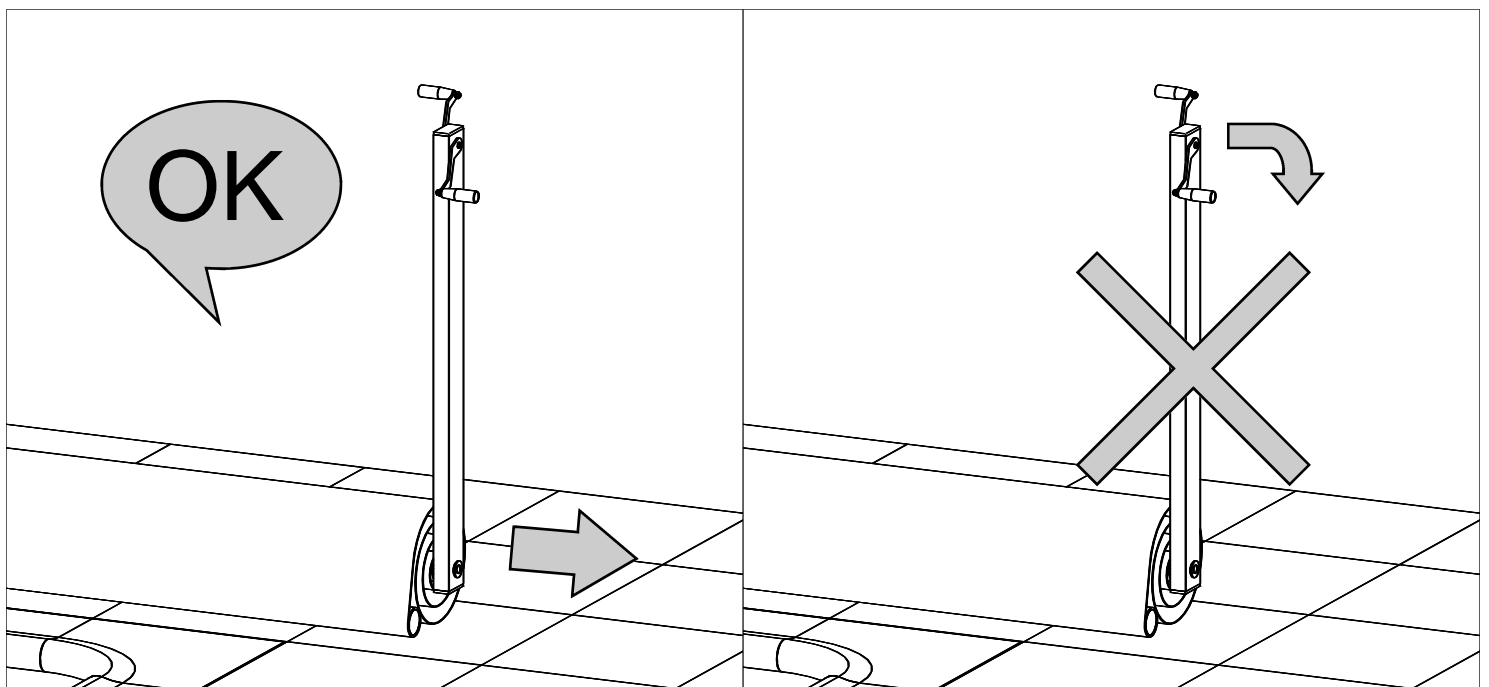
Insert the mechanical handle in the winding tub, either on the left or on the right (both sides suited to the mechanism)

- **Roll up the safety cover**



Turn the 2 levers of the mechanical handle at the same time and follow the movement until the pool is uncovered.

- **Take off the handle**



Take off the handle by pushing the inferior part in the axis of the cover. Do not pull on the levers. Store the handle in shelter.

- **Take off the closure retractor**

Undo the closure strap from the retractor and store it near the cover.

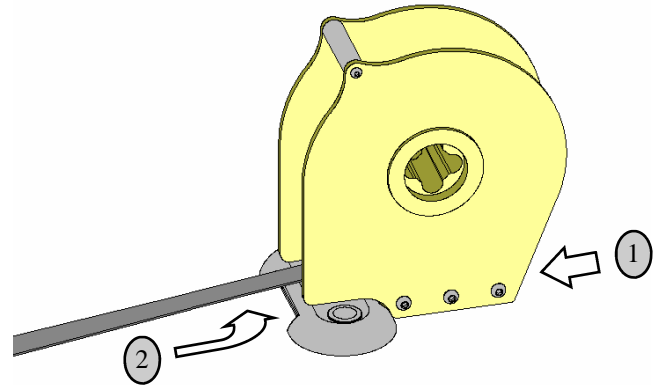
POOL CLOSURE

- **Position the closure retractor**

① Insert the closure retractor in the fixing in the middle, on the ground, at the opposite side of the storage.

② Fasten the end of the closure strap on the retractor thanks to the press stud.

Roll up the excess of strap around the retractor thanks to the lateral blank handle.

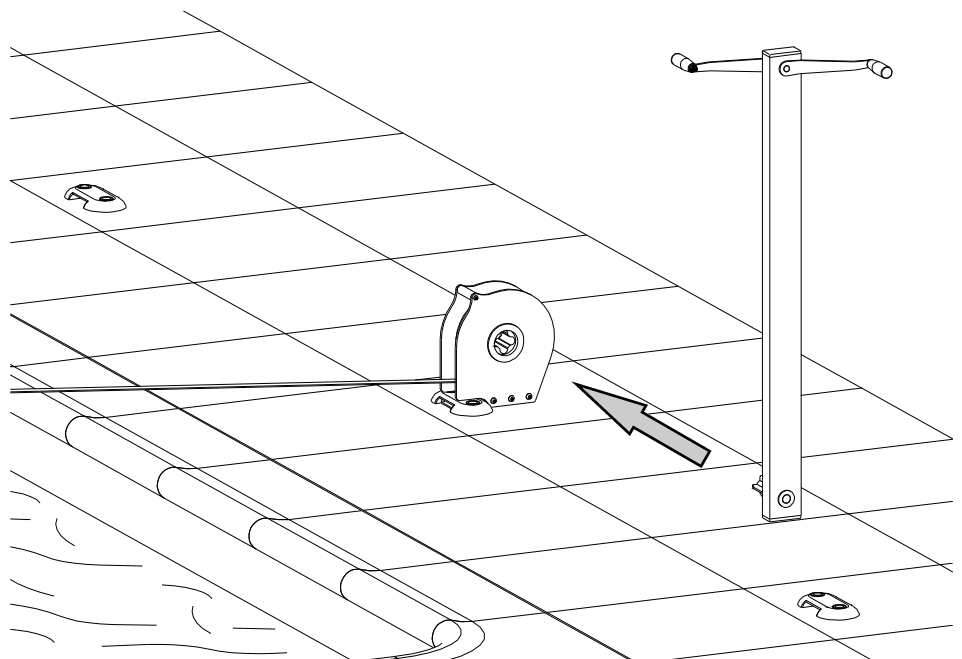


- **Position the mechanical handle**

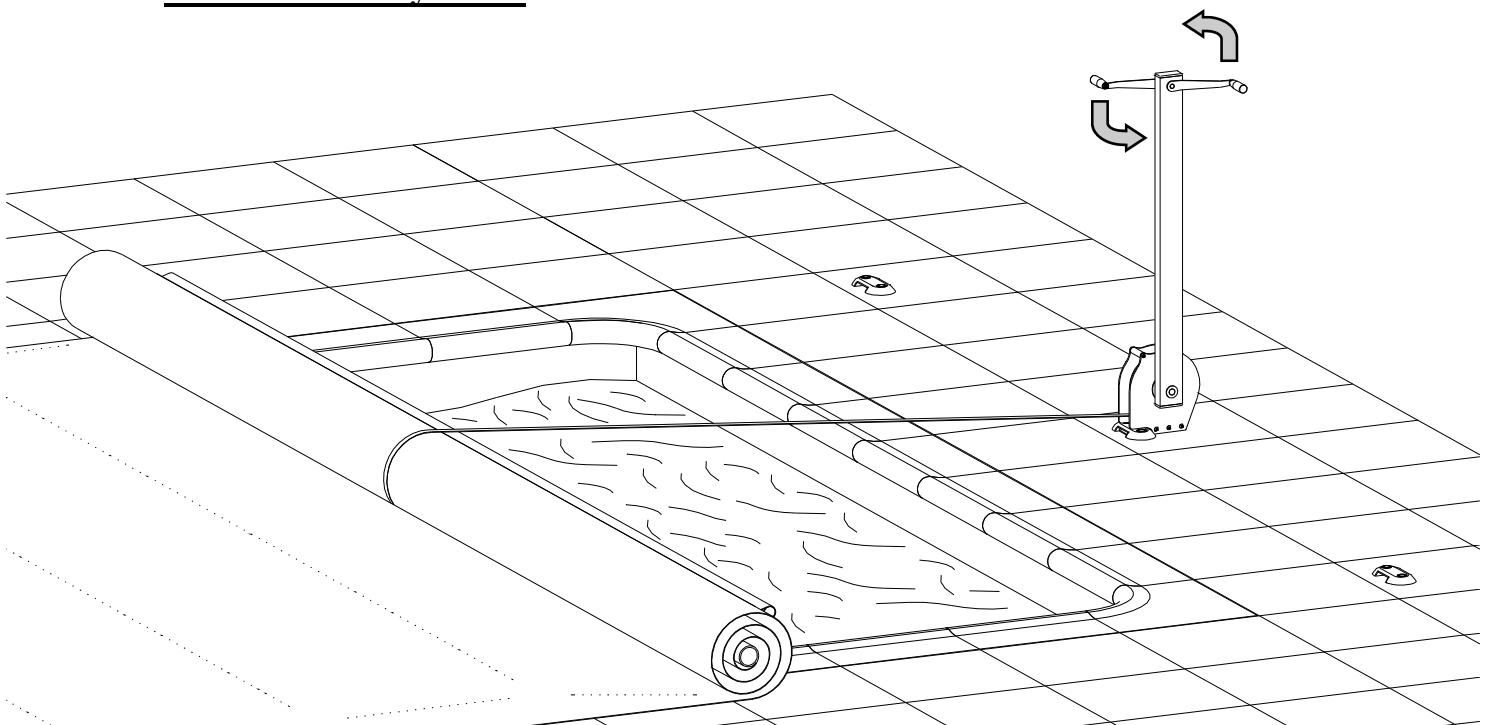
The cover can be unrolled by pulling on the closure strap by hand.

THE RETRACTOR ENABLES YOU TO UNROLL WITHOUT ANY EFFORT

Insert the handle in the hub of the closure retractor.



- **Unroll the safety cover**

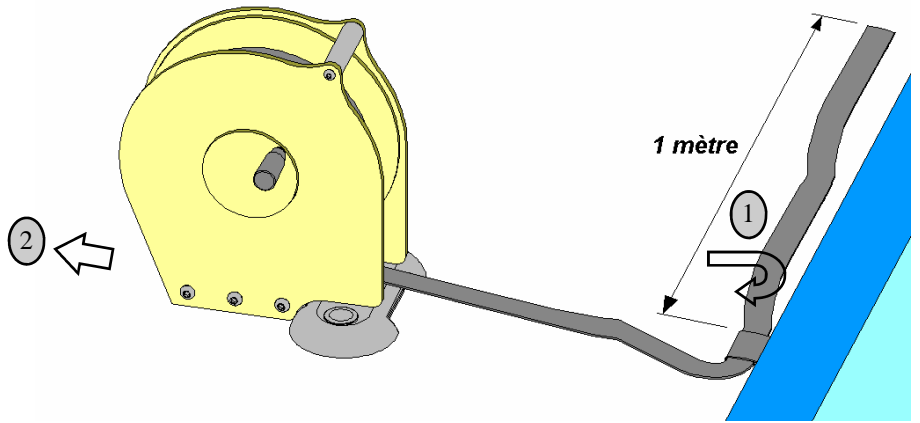


Turn the levers of the handle until the complete unwinding of the cover.

- **Take off the closure retractor**

① Take off the closure strap from the loop in the middle of the winding tub

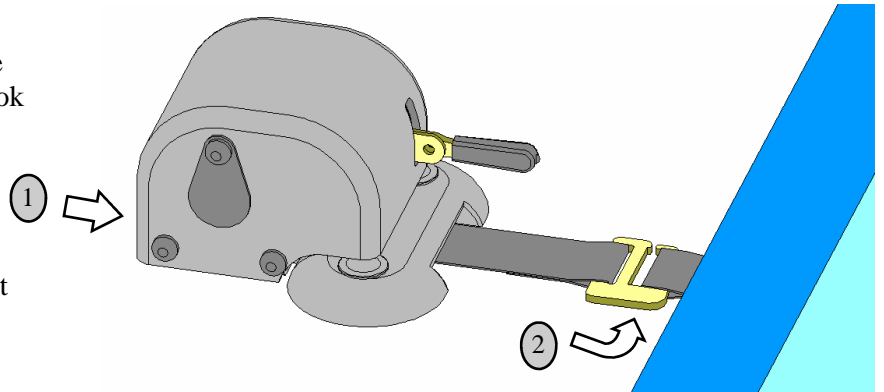
② Take off the closure retractor and store it in shelter.



- **Position the 3 tension winches**

① Insert the tension winch in the fixing on the ground and pass also the strap and the flat hook under the fixing

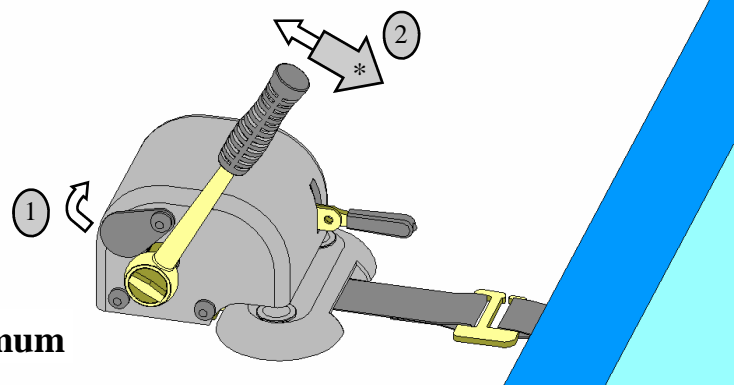
② Hook the tension strap on the loop just opposite on the cover.



- **Tense the cover thanks to the ratchet**

① Lift the cover plate and insert the ratchet in the axis of the winch.

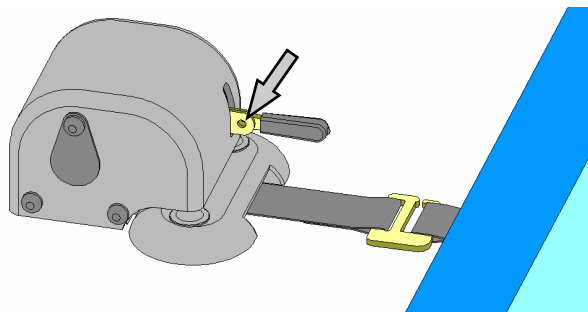
② Wind the tension strap (clockwise)



***Final tension strain: 20 to 30 kg minimum**

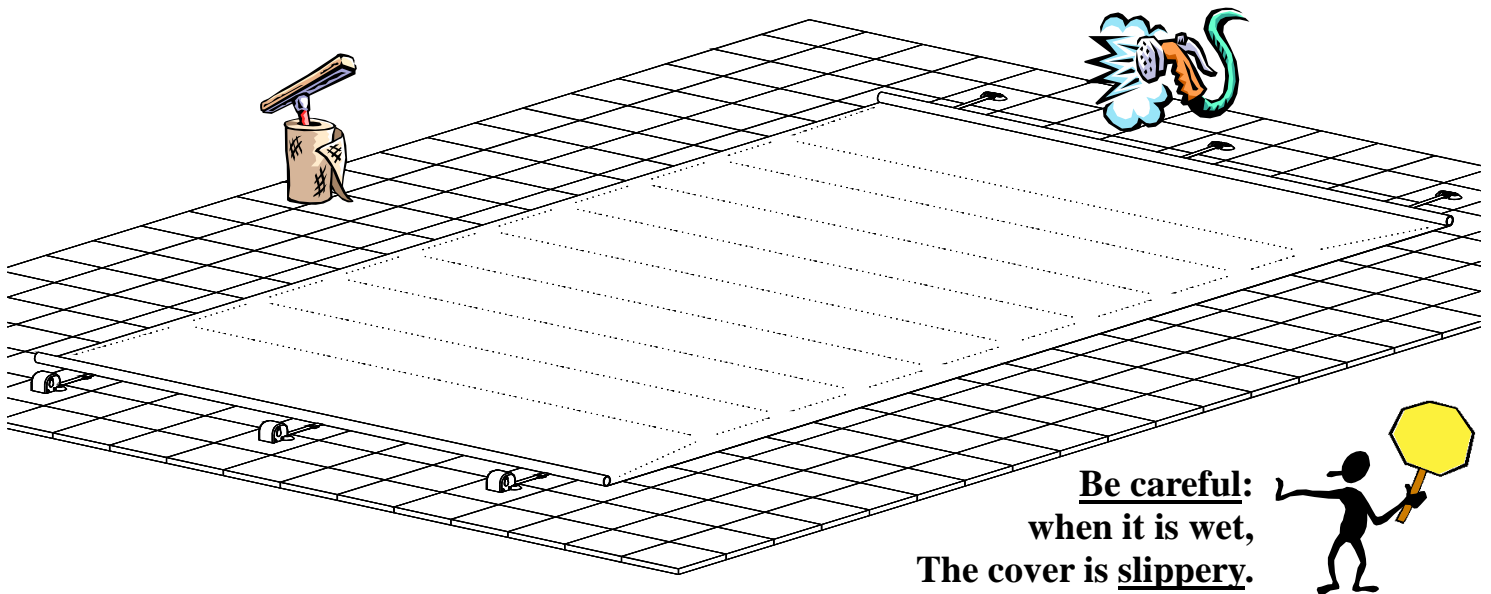
Take off the ratchet from the axis of the winch and close the cover plate.

Safety locking of the winches at both ends of the cover thanks to padlocks.



MAINTENANCE (responsibility of the owner)

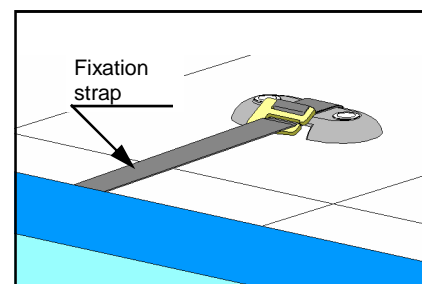
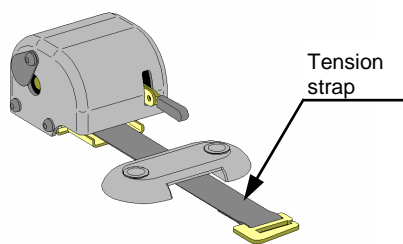
- For the cleaning of the cover, you only need a water-jet and a scraper or a broom.



- Do not use neither abrasive sponges nor solvents.
- Use spirit and a soft duster in case of persistent stains.
- When you don't use them, store the ratchet, the handle and the closure retractor undercover and out of the reach of children.

CARE

- Control the state of the fixation straps and the tension straps in order to insure that they didn't suffer from external damages.



Protection parts and parts subjected to wear and tear (periodic replacement)

- Control the protective devices of the tubs, which are located up against the stone walls.
- Control the protective devices of the straps at the ends of the cover.

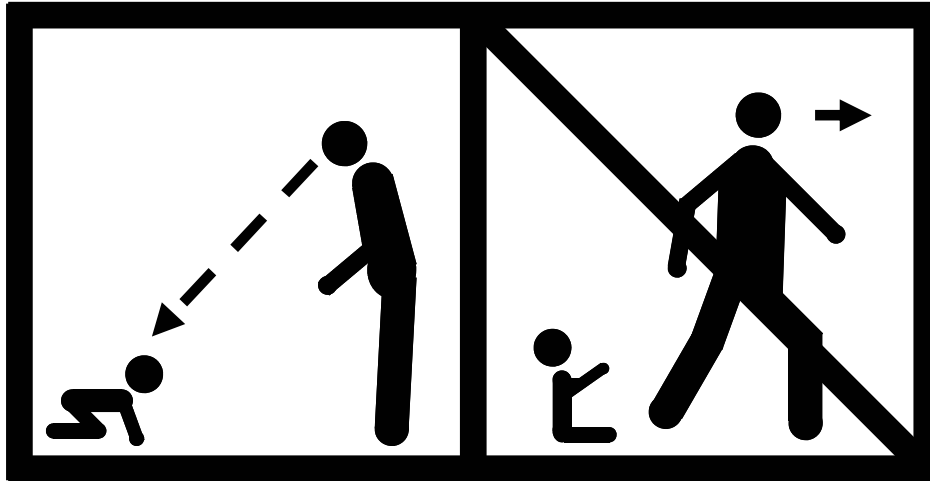
The replacement of these parts must be made by a skilled employee and with adapted parts in order to stay in conformity with the conditions of guarantee.

-> Ask your retailer

GENERAL SECURITY ADVICE

WARNING: « The pool can constitute a serious hazard for your children. They can drown very quickly. Having children next to the pool needs a permanent attention, even if they can swim ».

WARNING: « The physical presence of a responsible adult is essential when the pool is not covered ».



- Learn the behaviours that can save.
- « Memorize and put up next to the pool the emergency's phone number»
 - Fire brigade, police or ambulance: 999 or 112

SPECIAL SECURITY ADVICE FOR SAFETY COVERS

- This safety cover does not replace neither good sense nor individual responsibility.
- Moreover, it does not take the place of the vigilance of the parents and/or responsible adults, which stays the most efficient protection of the young children.
- **WARNING:** « Be careful! Your pool is safe only when it is closed, locked and well positioned in accordance to the manufacturer's instructions».
- The safety cover must be systematically positioned in case of absence, even for a short time.
- Control that there is nobody and nothing in the pool before handling the cover.
- Store the tools needed for the opening and the closure of the pool out of reach of the children..
- The mechanisms must be proceeded by a responsible adult.
- It is absolutely forbidden to climb, walk or jump on a safety cover.
- In case of problem with the safety cover, take all the precautions to prevent the access of the pool to the young children and thus until the cover is repaired and the pool secured.